

MICHELIN XSMD2+

The L5S tyre for loaders working in mines
in the most difficult conditions

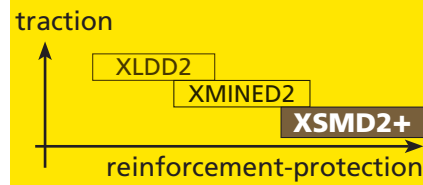
Productivity

Security

Simplified maintenance

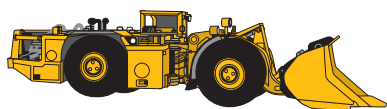


MICHELIN XSMD2+



The L5S tyre for loaders working in mines in the most difficult conditions

SIZES	TREAD DEPTH	
	mm	32 rd inch
12.00 R 24 TL	57	71.8
14.00 R 24 TL	58	73.1
17.5 R 25 TL **	78	98.3
18.00 R 25 TL **	96	120.9
20.5 R 25 TL	78	98.3
23.5 R 25 TL	88	110.9
26.5 R 25 TL **	102	128.5
29.5 R 29 TL **	112	141.1
35/65 R 33 TL **	97	122.2



➤ PRODUCTIVITY

■ It's extremely smooth deep tread and robust shoulders with sidewall protection ensure an excellent defence against shock ruptures and accidental damage together with excellent tread tearing resistance

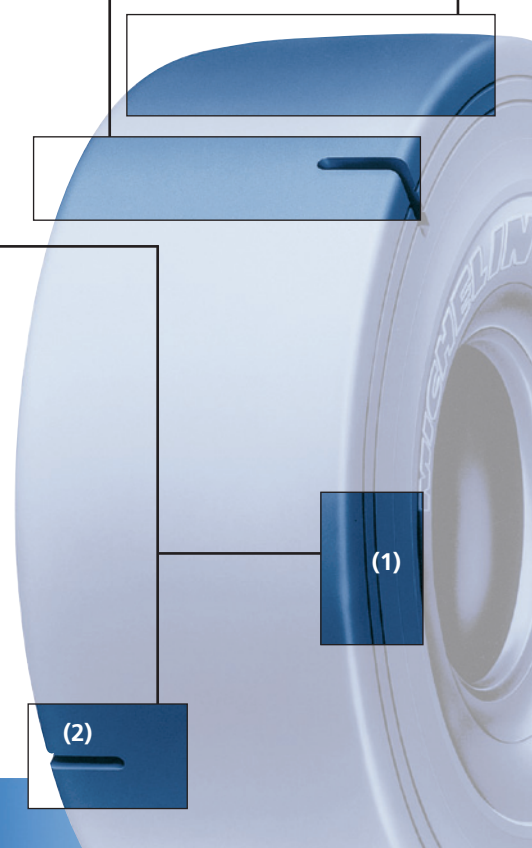
➤ SECURITY

■ The wide substantial tread specifically formulated to give an excellent level of adhesion in the most difficult conditions of use

➤ SIMPLIFIED MAINTENANCE

■ Practical and very clearly visible wear indicators integrated into the tyre

- (1) : on the sidewall for 33 to 45 diameter
 (2) : on the shoulder for sizes < 33 diameter



REPAIRABILITY AND RETREADABILITY MAXIMIZED THANKS TO THE EXTREME RELIABILITY OF THE CASING (##)

(##) provided that the worn tyre answers criteria of retreading and/or repair.

BENEFITS OF THE MICHELIN® RADIAL TECHNIQUE

- longer tyre life
- better traction on all types of surface
- lower fuel consumption
- improved comfort
- increased resistance to punctures / flats
- increased heat resistance

